

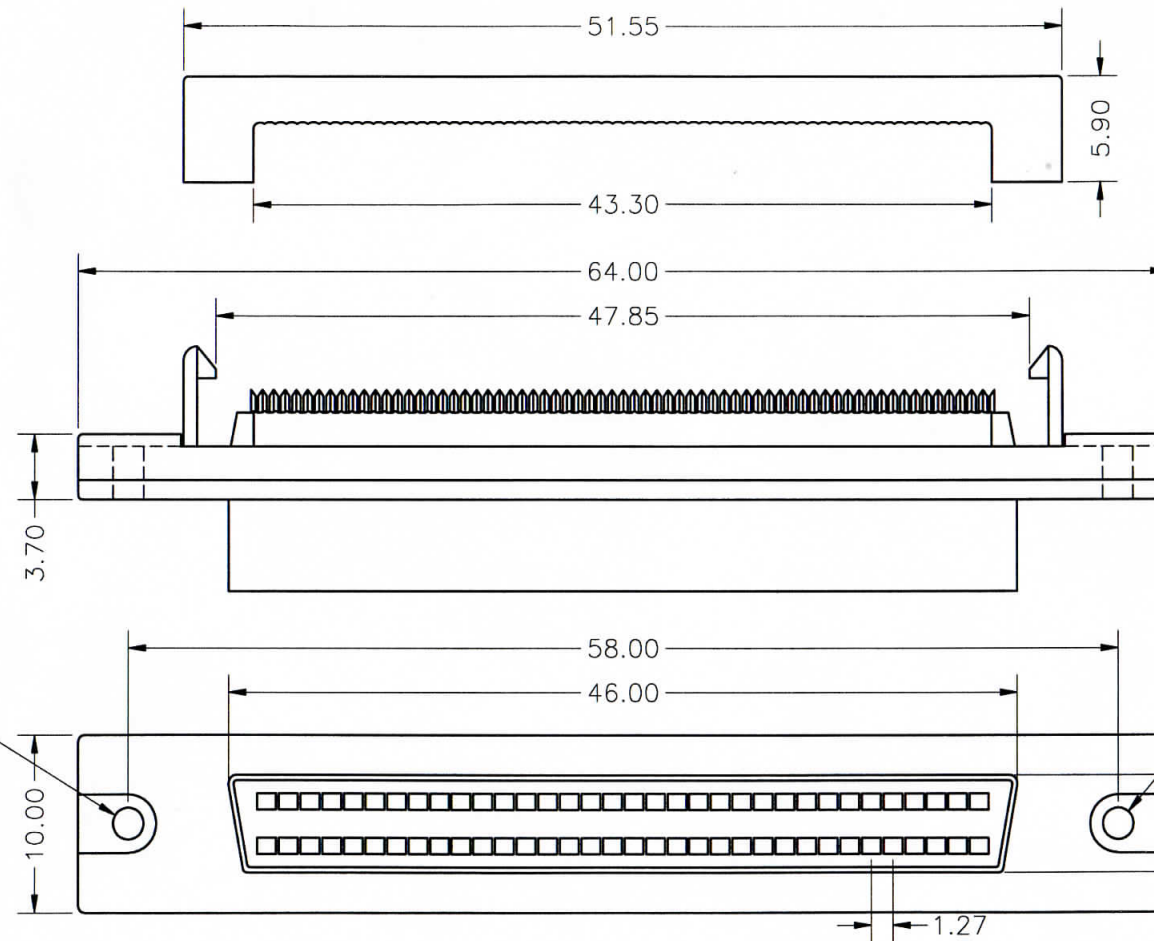
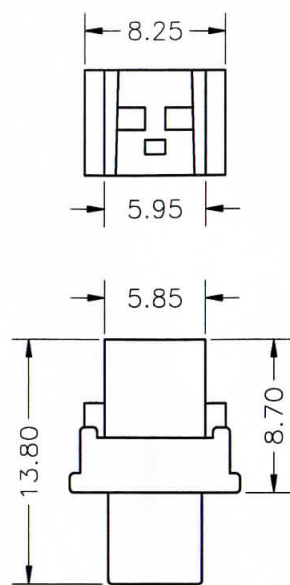
4

3


2

1

REVISIONS				
ZONE	REV	DESCRIPTION	DATE	APPROVED



SHELL: STEEL
 NICKEL PLATED OR TIN
 CONTACT: PHOSPHOR BRONZE
 CONTACT FINISH: GOLD PLATING OVER NICKEL
 CONTACT RESISTANCE: 30 mΩ Max.
 INSULATING RESISTANCE : 500 MΩ Min
 WITHSTANDING VOLT: 500 VAC/1 MINUTE
 INSULATOR: PBT UL94V-0
 OPERATING TEMPERATURE: -56°C ~ +105°C
 CURRENT RATING: 1Amp
 BRACKEL/BLOCK LOCKS: ZINC ALLOY

BY	DATE	 PAN PACIFIC ENTERPRISES CO.,INC	PART NO	IDC-HD68F	
DRAWN <i>R.M.</i>	03/17/98				
CHK'D		SHEET 1 OF 1			
APPRV					
MATERIAL	SEE NOTES	UNITS	mm	SCALE	NONE
FINISH	SEE NOTES				

4

3

2

1

007-02

007-00