





KEY FEATURES

- 48 VDC power output
- Overload protection up to 150% of rated power
- Overvoltage and short circuit protection
- Built-in DIN-Rail mount for hassle free installation
- Extended operating temperature range -40 to 140 °F (-40 to 60 °C)
- Adjustable voltage +/- 10%
- UL508 approved for industrial control equipment
- 100~240 VAC input range

PART NUMBER		AP30010	AP30020
Power Supplies			
Electrical Characteristics	Wattage	120W	240W
	Voltage	44 to 55V DC	41 to 57V DC
	Output Connectors	2	3
	Device Type	PoE	PoE
Environmental Characteristics	Operating Temp.	-40 to 140°F	-40 to 140°F
Physical Characteristics	Dimensions	2.95 x 4.76 x 4.33 in (75 x 121 x 110 mm)	3.93 x 4.76 x 4.33 in (100 x 121 x 110 mm)
	Weight	1.48 lb (0.67 kg)	2.60 lb (1.18 kg)
	Mounting	DIN-Rail Mountable	DIN-Rail Mountable

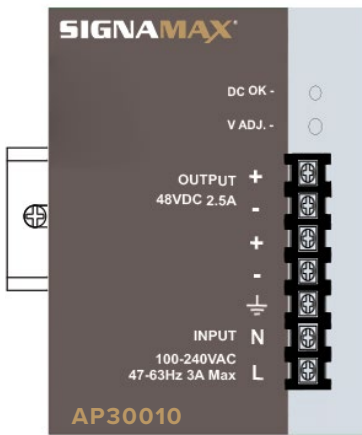
Product Specifications

48 Volt Industrial Power Supply

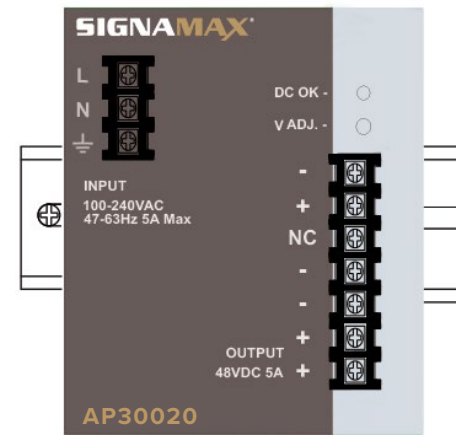
SIGNAMAX

NETWORK SOLUTIONS

TERMINATION ALLOCATION



DESIGNATION	DESCRIPTION
DC OK	Green LED Indicator
V Adj.	O/P Voltage Adjustment
+	Output Positive
-	Output Negative
NC (AP30020)	No Contact
⊥	Earth
N	Input Neutral
L	Input Line



ORDERING INFORMATION

POWER SUPPLIES

AP30010	120W Power Industrial Supply - 48V DC (-40 to 140°F)
AP30020	240W Power Industrial Supply - 48V DC (-40 to 140°F)

MOUNTING ACCESSORY

AM30130	Rack Mount Bracket with adjustable depth for DIN-Rail equipment
---------	---

Visit www.signamax.com for specification information.



SPECIFICATIONS

ELECTRICAL CHARACTERISTICS

Input Range: 100 ~ 240V AC or 120 ~ 370V DC

Output:

AP30010: 120W, 48V DC, 2.5 Amps

AP30020: 240W, 48V DC, 5 Amps

Over Voltage Protection: 52-56V DC

Overload Protection:

AP30010: 160 ~ 200%

AP30020: 130 ~ 150%

Protection Type:

Short Circuit Protection: Auto Recovery

Over Voltage Protection: Auto Recovery

Overload Protection: Power Limited

Inrush Current: 22 Amps; 115 V AC or 44 Amps; 230V AC

ENVIRONMENTAL REQUIREMENTS

Operating Temperature: -40 to 140°F (-40 to 60°C)

Storage Temperature: -40 to 185°F (-40 to 85°C)

Operating/Storage Humidity: 5 to 95% (non-condensing)

PHYSICAL CHARACTERISTICS

Dimensions:

AP30010: 2.95 x 4.76 x 4.33in (75 x 121 x 110mm)

AP30020: 3.93 x 4.76 x 4.33in (100 x 121 x 110mm)

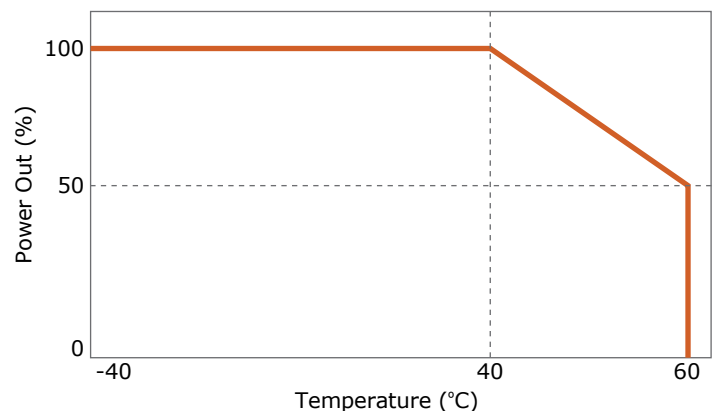
Housing: IP20 metal case

Weight:

AP30010: 1.48lb (0.67kg)

AP30020: 2.6lb (1.18kg)

DERATING CURVE



CERTIFICATIONS

Safety: UL508, EN60950, CSA 22.2

EMI: EN55011, EN55022 (CISPR22) Class B

EMS: EN61000-4-2/3/4/5/6/8/11

WARRANTY

Five Years