

3 PIN

4 PIN

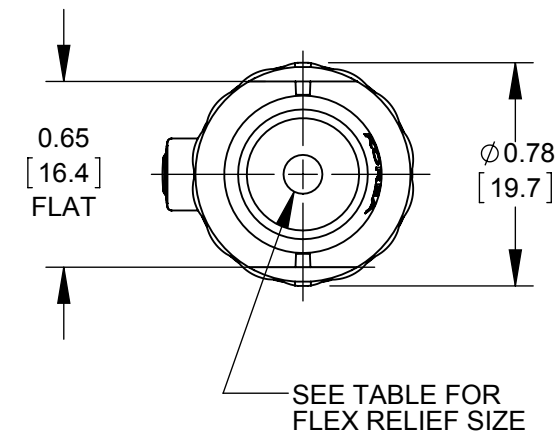
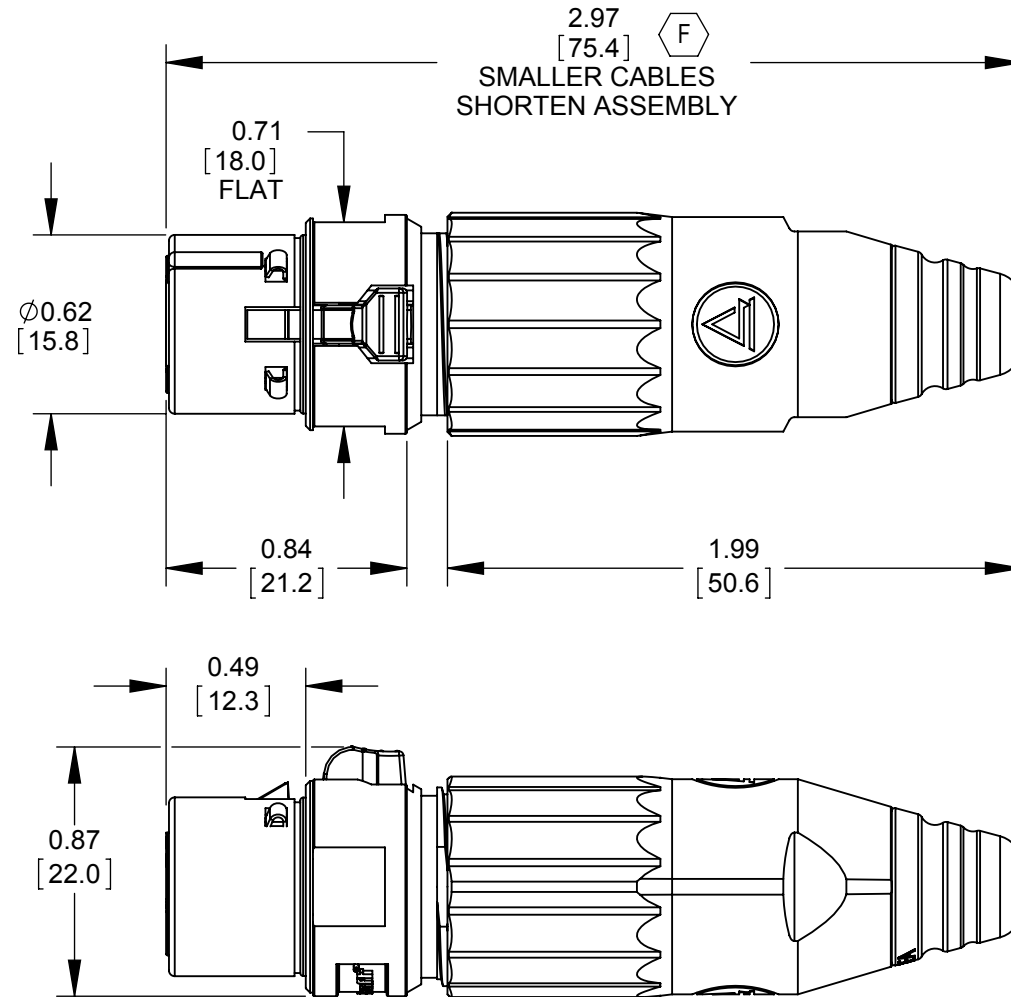
5 PIN

6 PIN

7 PIN

CONTACTS AS VIEWED FACING FEMALE CONECTOR

SERIES: AAA F Z  
 Q-G° CONNECTOR  
 # OF CONTACT SOCKETS: 3, 4, 5, 6 OR 7  
 GENDER: F - FEMALE  
 HANDLE STYLE: BLANK - METAL HANDLE  
 P - PLASTIC HANDLE  
 FINISH: BLANK - NICKEL FINISH & GREEN INSERT  
 B - BLACK FINISH & BLACK INSERT  
 CONTACT SOCKET PLATING: BLANK - SILVER  
 AU - GOLD  
 FLEX RELIEF STYLE: BLANK - FLEX RELIEF I.D. 0.135 [3.4mm]  
 RECOMMENDED CABLE O.D. 0.100 - 0.220 [2.5mm - 5.6mm]  
 L - FLEX RELIEF I.D. 0.225 [5.7mm]  
 RECOMMENDED CABLE O.D. 0.220 - 0.285 [5.6mm - 7.2mm]



**CUSTOMER DRAWING**

NOTES:

- CONNECTORS AND HANDLES ARE SHIPPED SIDE BY SIDE OR IN BULK.
- MATERIALS:  
 HANDLE METAL - ZINC ALLOY, NICKEL PLATED OR BLACK SATIN CHROME PLATED  
 HANDLE PLASTIC - THERMOPLASTIC, BLACK  
 CABLE CLAMP AND FLEX RELIEF - THERMOPLASTIC, BLACK  
 HOUSING AND LATCH - ZINC ALLOY, NICKEL OR BLACK SATIN CHROME PLATED  
 INSULATOR - THERMOPLASTIC, GREEN OR BLACK  
 GROUND TERMINAL - SPECIAL COPPER ALLOY, TIN PLATED  
 CONTACT SOCKETS - SPECIAL COPPER ALLOY, SILVER OR GOLD PLATED  
 O-RING - THERMOPLASTIC RUBBER, BLACK
- THESE PRODUCTS ARE RoHS COMPLIANT.

REV	ECO NUMBER	DATE	BY	APVD
F	27081	01/25/13	BL	TJK
E	25891	9-9-08	SRC	TJK
D	25711	10-17-07	JGK	TJK
C	24940	3-11-05	JL	TJK
B	24552	10-13-03	JL	BRH
A	24446	8-12-03	JL	BRH
REVISIONS				

★ STAR SYMBOL DENOTES CRITICAL DIMENSION

UNLESS OTHERWISE SPECIFIED

- ALL DIMENSIONS IN INCHES  
 - TWO PLACE DECIMALS ±0.01  
 - THREE PLACE DECIMALS ±0.005  
 - ANGLES ±1°  
 - ALL DIA. CONCENTRIC WITHIN 0.005 T.I.R.
- FEATURES ON THE SAME CENTERLINE MUST BE ALIGNED WITHIN ±0.002
- REMOVE ALL BURRS

DO NOT SCALE DRAWING

THIS DRAWING DESCRIBES A DESIGN CONSIDERED PROPRIETARY IN NATURE, DEVELOPED AND MANUFACTURED BY SWITCHCRAFT INC. AND IS RELEASED ON A CONFIDENTIAL BASIS FOR IDENTIFICATION PURPOSES ONLY.

SIZE	WIDTH	MULT	LBS/M	TEMPER
FINISH		MATERIAL		
SPEC No.		SPEC No.		
FIRST USED ON		SCALE 1.5:1		
DATE DRAWN	BY	CHKD	APVD	<b>Switchcraft</b> <sup>®</sup>
03-07-03	BRH	BRH	BRH	
NAME				PART No.
FEMALE XLR CONNECTOR, RoHS				AAA_FZ SERIES
				REV F

SolidWorks CAD File **B**