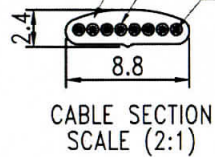


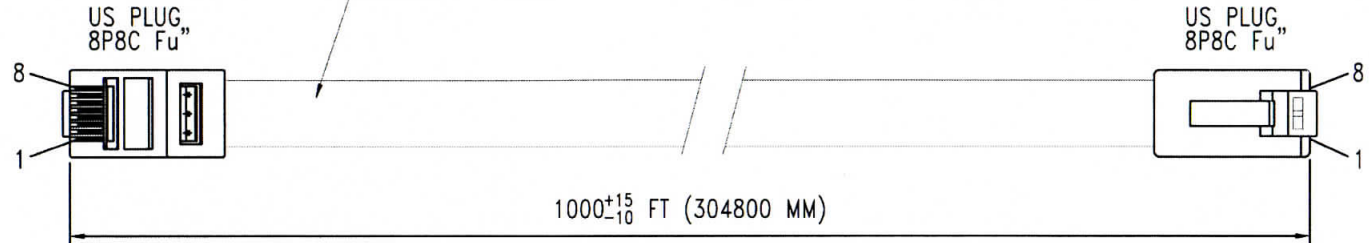
RoHS and REACH Compliant

REVISIONS				
ZONE	REV	DESCRIPTION	DATE	APPROVED
		Replace 051-33	5/9/2019	

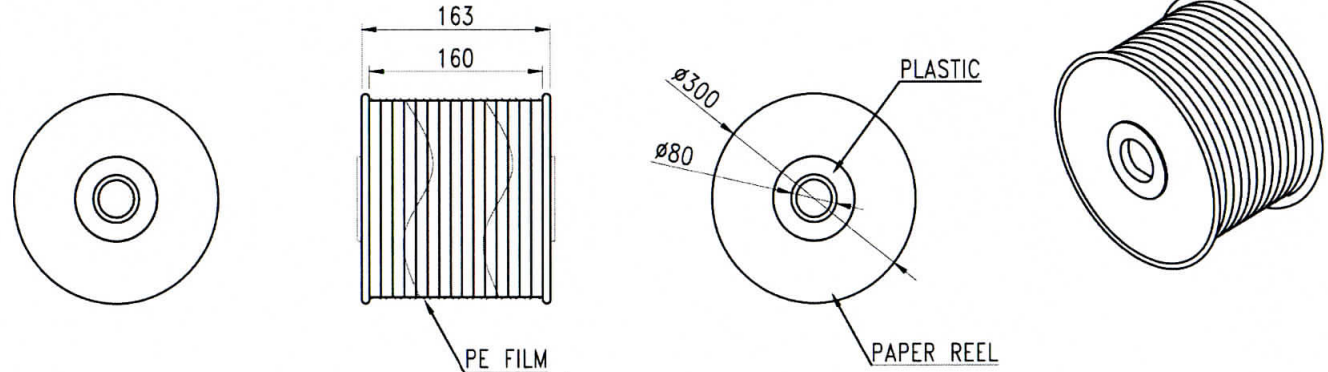
PVC JACKET UL
PP INSULATION
CONDUCTOR: [26AWG(7/0.16)BARE COPPER] *8C



8C FLAT CABLE 26AWG(7/0.16) UL
COLOR: SILVER GREY(#LG11)
CABLE PRINTING: E164535 CHENGXIANG 9\ AWM STYLE 20251 26AWG 60°C 150V
OR: E166160 LINE TECH 9\ AWM STYLE 20251 26AWG 60°C 150V



- | | |
|-------------------|-------------------|
| US PLUG, 8P8C Fu" | US PLUG, 8P8C Fu" |
| 1 | 1 (GRAY) |
| 2 | 2 (ORANGE) |
| 3 | 3 (BLACK) |
| 4 | 4 (RED) |
| 5 | 5 (GREEN) |
| 6 | 6 (YELLOW) |
| 7 | 7 (BLUE) |
| 8 | 8 (BROWN) |



8C FLAT CABLE REEL - 1000 ft

BY	DATE	PAN PACIFIC ENTERPRISES CO., INC
DRAWN		
CHK'D		
APPRV		
MATERIAL	PART NO DC-W8-1000'	
FINISH	UNITS	SHEET 1 of 1
	SCALE NONE	

057-47

057-47